

BASIC FEATURES

- Industry compatible
- Mates to FCC-68 STYLE JACKS
- Pre-assembled contacts

MATERIALS:

Modular jack ADAPTER :

- housing: ABS resin, color white
 Modular jack housing: PA - glass filled, color white
 contacts: Phosphor bronze alloy, gold plating

Modular Plug:

- housing: Polycarbonate UL94V-2, transparent
 contacts: Phosphor bronze, gold plating

Cable: AWG26-4C, 7 x 0.14 mm (O.D.), flat, color white, dim. 5.0 ± 0.1 x 2.5 ± 0.1 mm

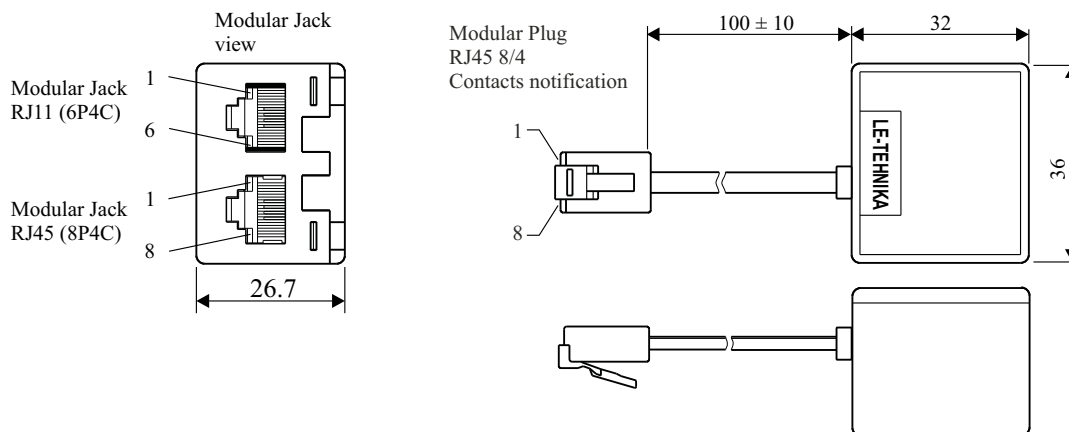
ELECTRICAL CHARACTERISTICS:

- Insulation Resistance: min. 500 Mohm or more
- Contact Resistance: max. 20 mohm
- Dielectric Withstanding Voltage: 1000 volts RMS 50 Hz
- Current Rating: 1.5 Amps

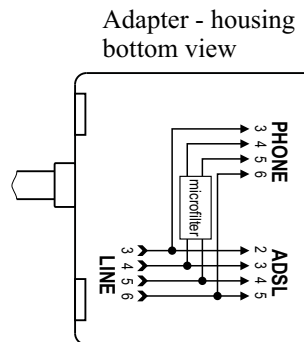
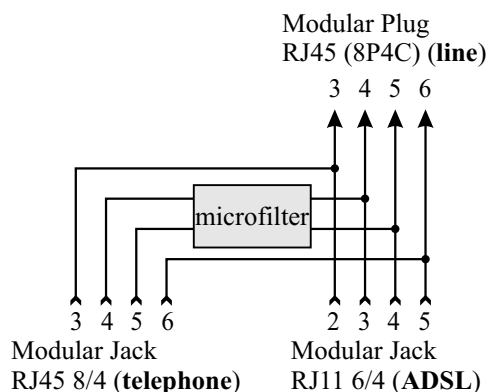
MECHANICAL CHARACTERISTIC:

Nominal temperature range of use: from -30°C to +80°C.

BASIC DIMENSIONS:



WIRING DIAGRAM



Dimensions in mm.